

IMPORTANT
to be kept by the user

CONVECTAIR

CALYPSO

INSTALLATION AND OPERATING INSTRUCTIONS FOR THE CONVECTAIR BLOWER-TYPE BATHROOM UNIT, MODEL 7824-C

This **CONVECTAIR** heater should be installed by a qualified electrician according to the national and local codes. All wiring must comply with local codes and ordinances.

SUPPLY OUTLET:

The supply cable should be at the same level as the connection box to prevent an excessive length of wire behind the unit: 12 3/8" (315 mm) from the floor (Figure 1).

INSTALLATION:

The mounting bracket is fastened directly on the wall with three screws. Make sure that it is in the correct position with the horizontal part of the "T" up and at the correct height 23 1/2" (596 mm) from the floor (Figure 1).

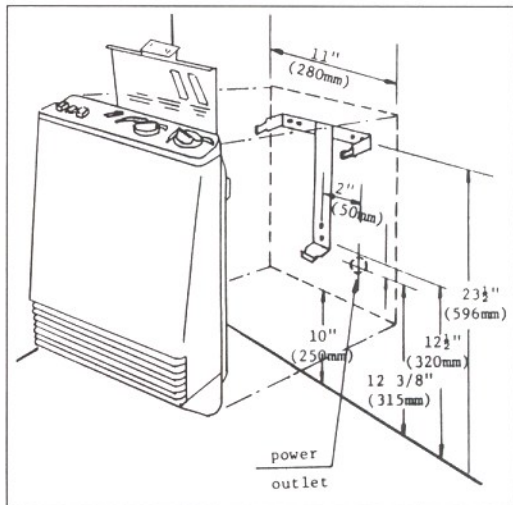


Figure 1

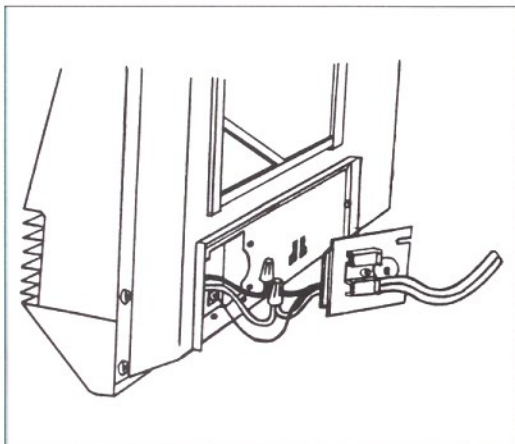


Figure 2

MOUNTING AND WIRING:

Important: The electrical wiring and ground wire must be installed in accordance with all applicable electrical and building codes (Figure 2).

1. Remove the connector plate located at the back of the unit.
2. Insert the supply wires through the connector.
3. Connect the ground wire to the green screw located in the connection box.
4. Connect the other two conductors to the two wires in the unit (wire color is not important).
5. Carefully replace all the connections inside the unit.
6. Replace the connector plate, making sure the screws are tight.
7. Push any extra cable into the wall so that there is little slack between the unit and the wall after final mounting.
8. Insert the unit into the bottom part of the mounting bracket and clip it at the top.

OPERATION:

1. Push the ON 1 button at the top left of the unit (see Figure 3).
2. To maintain a steady temperature in the bathroom throughout the day, turn the thermostat control (1000W mode) clockwise for warmer temperatures.
3. To heat the bathroom instantly (2000W mode) turn the integrated timer located to the right of the thermostat control, clockwise from 0 to 60 minutes. The timer can be brought back manually to 0 before the end of the cycle, in order to interrupt the "high" heat.
4. The OFF (0) button located on the left allows the unit to be turned OFF completely (see Figure 3).

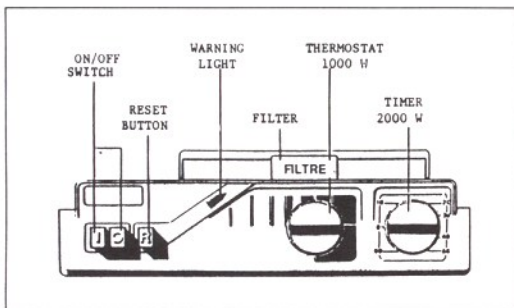


Figure 3

THERMAL PROTECTION:

A thermal protection switch automatically shuts off the heating element and ventilation whenever the air flow is blocked. Once the problem is solved (see dust filter cleaning), push the "R" (reset button) to turn off the warning light and reactivate the unit.

IMPORTANT: DO NOT COVER THE UNIT WITH WET TOWELS OR OTHER OBJECTS.

FILTER:

The bathroom blower unit is equipped with a filter to reduce dust intake by the unit. The warning light located on top of the unit turns on when the filter needs cleaning.

Cleaning the dust filter:

1. Remove the filter which is accessible from the top of the unit.
2. Gently remove the accumulated dust on the filter.
3. Re-install the filter in its place.
4. Push the "R" (reset) button until the warning lights turns off.

MAINTENANCE:

Use a soft cloth to clean the surface of the unit. Do not use abrasive cleaning products as they will damage the finish of the unit.

After a while, the warning light may go on even if the filter isn't clogged up. In such case the unit requires internal cleaning.

To do so, please proceed as follows:

Shut power off to the unit by turning off the breaker in the electrical panel. Test the unit to make sure its off. Remove the unit from the mounting bracket and undo electrical connections. Place the unit face down and remove the six (6) screws located around the back of the unit. Using an air compressor or with the air blower of your vacuum cleaner, blow in the air through the base of the unit, **without touching the element. During this operation, you must stop the fan rotation by carefully inserting a screwdriver through the grille behind the filter.**

WARNING:

In certain cases, the grille may become yellow after a while. This phenomenon is not due to a manufacturing defect. It is caused by the smoke or suspended particles present in the surrounding air, heated and blown out through the grille. This coloration can be reduced by cleaning the grille on a weekly basis.

WARRANTY

- 2 years against all defects
- 5 years on heating element

All **Convectair** units are subject to a double warranty: 2 years on all parts and manufacturing defects and 5 years on the heating element itself. Warranty is applicable from date of purchase by the customer and under certain specific conditions. All details furnished with each unit.

Repair Centres

To find your nearest repair centre please call CONVECTAIR.

Province of Québec1-800-361-1497

Montréal514-433-5701

Other provinces1-800-463-6478

CONVECTAIR

30, Place Sicard, Sainte-Thérèse (Québec) Canada J7E 3X6

Tel.: (450) 433-5701 Fax: (450) 434-3166

E-mail: support@convectair.ca