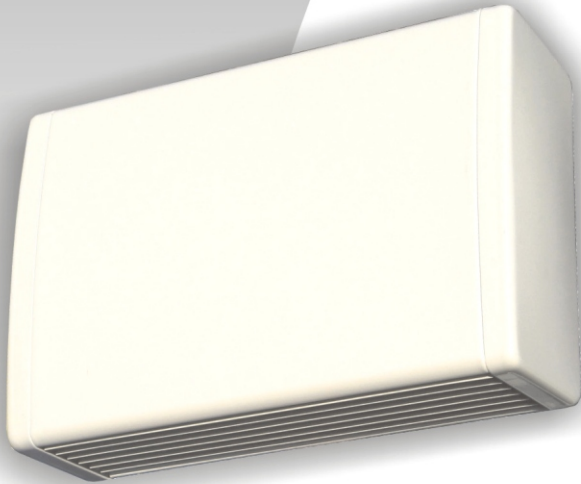


CONVECTAIR

SOPRANO

7808



Installation, Operating Instructions & Warranty Registration

(IMPORTANT : To be read and kept by the user)

Summary

1 - SPECIFICATIONS.....	Page 4
2 - PLANNING THE INSTALLATION.....	Page 4
3 - INSTALLATION.....	Page 5
4 - WIRING.....	Page 5
5 - OPERATION.....	Page 6
6- MAINTENANCE.....	Page 6
7- PREVENTION.....	Page 7
8 - THERMAL SAFETY CUT-OUT.....	Page 7
9 - IF YOUR SOPRANO DOES NOT WORK.....	Page 7
10 - WARRANTY.....	Page 9

WE THANK YOU FOR YOUR PURCHASE OF THIS EXCELLENT CONVECTAIR PRODUCT.

1 Specifications

The Soprano is a compact, discreet and efficient unit that may be used in any room in the house. During the installation, the Soprano allows you to select a wattage, either 750W or 1500W. It is also available in two models to suit your requirements: 120V or 240V. The Soprano's control (sold separately) can, be a timer, a thermostat or even a wall switch.

2 Planning the installation

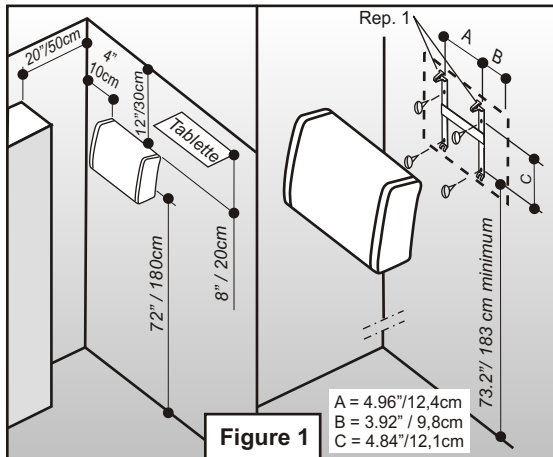
The unit must be connected to a 240V or 120V circuit, 60Hz depending on the model. Disconnect the power supply before making the wiring connections. CONVECTAIR recommends that the Soprano be installed by a qualified electrician, in accordance with national codes, local authority having jurisdiction.

CAUTION : DO NOT INSTALL BOTTOM AT LESS THAN 72" (180 cm) FROM THE FLOOR, SIDES AT LESS THAN 4" (10cm) FROM ANY SURFACES MAINTAIN A 20" (50 cm) FRONT CLEARANCE.

- Determine the location where the Soprano is to be installed, ensure there are no restrictions for the minimum clearance permitted (Fig. 1).
- The electrical connexion for the Soprano shall be made in a rectangular box that has been pre-installed in the wall. The junction box shall be of appropriate dimensions to accommodate the cables and the supplied cover $2^{3/4"} \times 4^{1/2"} (7\text{cm} \times 11.5\text{cm})$.

3 Installation

- Free mounting bracket by pressing ans pulling both locking brackets.
- Relocate the mounting bracket to match the marks with the holes for the bottom fasteners.
- Check horizontality of the mounting bracket then mark and pierce the 4 holes for fastening.
- Replace mounting bracket and fasten it with screws and anchors if appropriate.



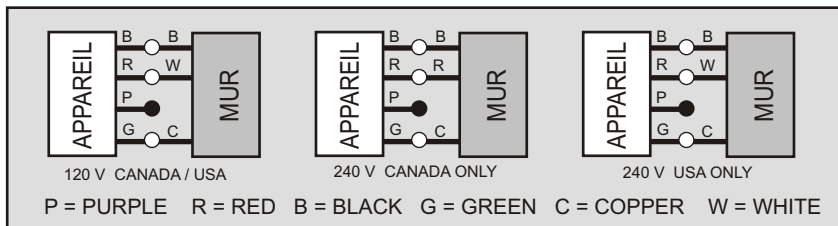
4 Wiring

CAUTION : DO NOT INSTALL HEATHER OVER A BATHTUB OR OTHER CONTAINER. DO NOT USE IN AREAS WHERE GASOLINE, PAINT, OR FLAMMABLE LIQUIDS ARE USED OR STORED.

- Two wattage configurations are possible for the Soprano.

Layout 750W :

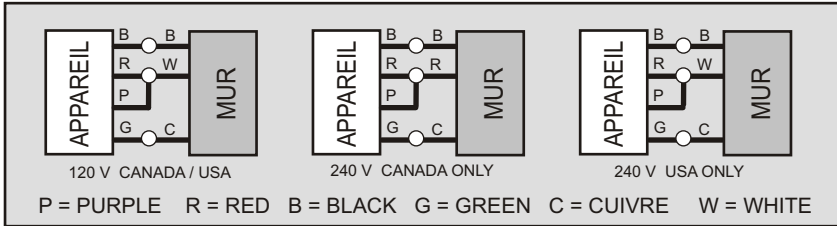
- From the junction box connect the ground wire (copper) to the unit's green wire, use wire connectors (not included).
- Wire the unit following the recommendations as shown on the wiring diagrams below :



- Carefully place wires in the junction box and screw on the cover.
- Place the Soprano against the wall and lock in position. Secure to wall bracket before using.

Layout 1500W :

- From the junction box connect the ground wire (copper) to the unit's green wire, use wire connectors (not included).
- Wire the unit following the recommendations as shown on the wiring diagrams below :



- Carefully place wires in the junction box and screw on the cover.
- Place the Soprano against the wall and lock in position. Secure to wall bracket before using.

5 Operation

The operation could vary depending on the type of controls used. Please consult the control operation manual for complete details.

6 Maintenance

To keep your unit clean, regular maintenance is suggested. To remove dust, use a soft cloth. To remove a stain, use a damp cloth. Never use abrasive products which could damage the finish.

CAUTION : ALWAYS DISCONNECT POWER TO THE UNIT BEFORE OPENING.

Warning : in certain cases, the grille may become yellow after a while. This phenomenon is not due to a manufacturing defect. It is caused by smoke or suspended particles present in the surrounding air, heated and blown out through the grille. This coloration can be reduced by cleaning the grille on a weekly basis.

7 Prevention

It is recommended to frequently clean the air intake at the rear of the unit especially in areas where smoke and dust are present. Never use this heater during construction or other activities that generate high amounts of dust particles.

During the first time operation of the unit, it is possible that a slight odour and smoke are expelled from your Soprano. This phenomenon is normal and shall cease after a few minutes of use.

CAUTION : THIS HEATER IS HOT WHEN IN USE. TO AVOID BURNS, DO NOT LET BRAKE SKIN TOUCH HOT SURFACES.

8 Thermal safety cut-out

- The Soprano is equipped with a safety cut-out which shuts off the fan and the heating element in case of overheating. To reset the safety cut out :

- 1- Shut the power of the heater off.
- 2- Check the heater for blockage, covering or dust and correct.
- 3- Wait 5 minutes; turn the power on and start the heater to check that it operates properly.

9 If your Soprano does not work

Prior to calling an electrician, please perform the following tests :

- 1- Ensure that the circuit breaker (in the main circuit box) is in the "ON" position.
- 2- Make sure that your timer, thermostat or switch (not included) are in the "ON" position.
- 3- Adjust the thermostat (not included) to the maximum power level.
- 4- If after all these tests, the unit does not work, shut power "OFF" and wait 5 minutes, then repeat steps 1 to 3. If the unit is still non-functional, contact your electrician or CONVECTAIR.

After a while, the unit may shut off even if the heater is not clogged up. In such case, the unit may require internal cleaning. Please contact one of our repair centers or call CONVECTAIR.

10 Warranty

2 YEARS against all defects / 5 YEARS on heating elements.

All CONVECTAIR units are subject to a double warranty : 2 years on all parts and manufacturing defects and 5 years on the heating elements themselves.

Warranty is applicable from date of purchase by the customer and under certain specific conditions.

All details furnished with each unit. Please keep your invoice (purchase or installation).

REPAIR CENTERS : To find your nearest repair center please call CONVECTAIR.

Montréal : (450) 433-5701

Toll-free from Canada and USA : 1-800-463-6478

Fax : 1 877 434-3166

Email : support@convectair.ca

Web : www.convectair.ca

CONVECTAIR

30, Carré Sicard, Sainte-Thérèse (Québec) CANADA J7E 3X6

Phone: 1-800-463-6478 Fax : 450-434-3166

Email : support@convectair.ca Web : <http://www.convectair.ca>