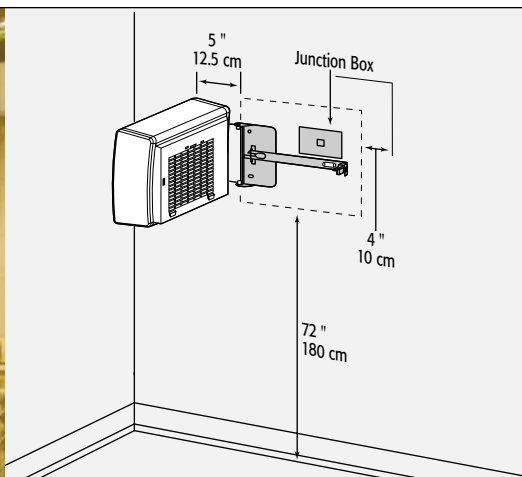
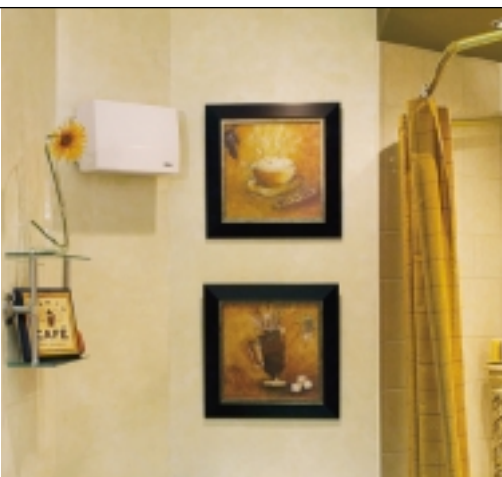



Compact and versatile, the **Soprano** is a practical solution for occasional heating needs in small rooms such as bathrooms. It can be installed on a 120-V or a 240-V circuit and can be timer-controlled (timer sold separately) for quick heat whenever you need it.

Soprano




HEATING ELEMENT

 **Quick heat Fan-forced heat** : Low-thermal-mass heating element combined with low-pressure tangential blower. Resettable overheat protection. (750 or 1500 W) Reset by turning heater off.


CONTROL PANEL

Not included. Convectair recommends the installation of a 30- or 60-minute timer that is compatible with the selected power and voltage.

CABINET

-  **Steel construction** with polyester/epoxy anti-rust powder coating.
- Cabinet** Splash-proof construction with rounded edges. Bracket provides access to the back without dismounting the unit, for easy maintenance.
- Louvres** Bottom grille directs the hot air downwards, towards the centre of the room to ensure even temperature.
- Color** BB = White

INSTALLATION

-  **Installation** Quick-mounted surface installation with easy snap-on bracket.
- Connection** Armoured cable supplied with heater. Installation requires a wall box (not included) and a timer (not included) that is suited to the voltage chosen.

Installation height 6 feet (1.8 m)

Clearances ■ **Front:** 20 in (50 cm) ► **Right side:** 4 in (10 cm) ◀ **Left side:** 5 in (12.5 cm) ▲ **Above:** 4 in (10 cm)

Note Wattage can be selected at time of installation: 750 or 1500 W.

MODEL	Catalog No.	Color	Power 240-V	Height		Width		Thickness		Weight	
				cm	in	cm	in	cm	in	kg	p
SOPRANO ③	7808-C15	BB	750 - 1500 W	22	8 1/2	32	12 1/2	14	5 1/2	3,7	8,1

120 VOLTS

SOPRANO ④	7808-B15	BB	750 - 1500 W	22	8 1/2	32	12 1/2	14	5 1/2	3,7	8,1
-----------	----------	----	--------------	----	-------	----	--------	----	-------	-----	-----

- ③ Not compatible with the Convectair Programmer system.
- ④ Not compatible with the Convectair Programmer system; can be connected to 120-V circuit.

For guaranteed, dependable operation, we recommend that all units be installed by a licensed electrical contractor.

