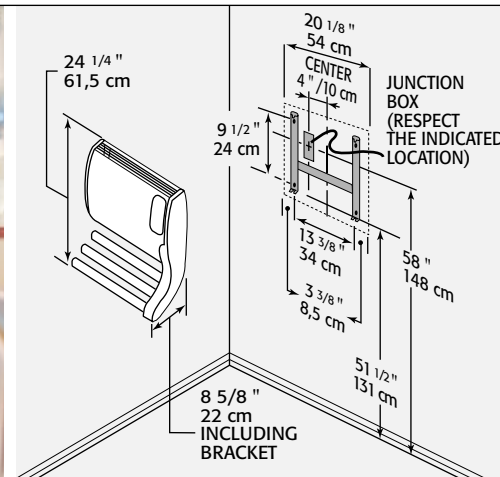
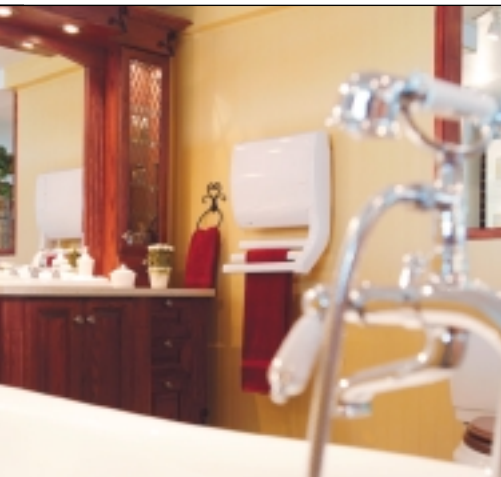


The **Jazz** warms towels and bathrooms in record time. Perfect for people who like the comfort of quick heat and the silence of basic convection heat.



### HEATING ELEMENTS

- Basic heating** Convection : X-shaped, monoblock element made of surface-treated extruded aluminum. Automatic reset overheat protection. (750 or 1000 W) 120-V unit: Manual reset overheat protection.
- Quick heat** Fan-forced heat and towel drying : Low-thermal-mass heating element combined with low-pressure tangential blower. (750 or 1000 W) Resettable overheat protection. Reset by turning heater off.

### TEMPERATURE CONTROL

- Electronic thermostat** Built-in electronic proportional-action thermostat ultrasensitive to 1/10°C (1/5°F) for convection heating.
- Timer** 0-30 minute resettable mechanical timer for drying or fast heating.

### CONTROL PANEL

- Location** Located in the front of the unit with protective cover.
- Switch** On/Off switch, also serves as reset for overheat protection.
- Dial 1** Thermostat control.
- Dial 2** Timer dial with 3 mode-function selector (see below).
- Mode-function selector** 3-mode-timer-function selector: Fast heat (2000 W); Towel drying (1000 W); Room-temperature drying.
- Indicator light** Heating indicator light.

### CABINET

- Steel construction** with polyester/epoxy anti-rust powder coating.
- Cabinet** Splash-proof construction with rounded edges and built-in side wire covers.
- Louvres** Top forward-louvered air outlet ensures even room temperature.
- Color** BB = White

### INSTALLATION

- Installation** Quick-mounted surface installation with easy snap-on bracket.
- Connection** 240-V unit: Flexible cord connection, including junction box. Installation requires 2" X 3" wall box (not included). 120-V unit: Plug-in connection with 6' flexible cord.
- Installation height** 30 in (75 cm).
- Clearances** ■ **Front:** 20 in (50 cm) ◀ **Sides:** 6 in (15 cm) ▲ **above:** 12 in (30.5 cm).
- Note** 240-V unit: 3-conductor cable or 2-conductor cable with a third wire should be used if unit is to be linked with the Convectair Programmer module (7392 FP).

MODEL	Catalog No.	Color	Power 240-V	Height		Width		Thickness		Weight	
				cm	in	cm	in	cm	in	kg	p
JAZZ ②	7618-C20	BB	1000 - 2000 W	61,5	24 1/4	54	20 1/8	22	8 5/8	9,7	21,4
<b>120 VOLTS</b> <b>PLUG-IN</b>											
JAZZ ④	7618-B15	BB	750 - 1500 W	61,5	24 1/4	54	20 1/8	22	8 5/8	9,7	21,4

② Compatible with the Convectair Programmer system (see technical specifications for catalogue number 7392).  
 ④ Not compatible with the Convectair Programmer system; plugs into a 120-V socket.

For guaranteed, dependable operation, we recommend that all units be installed by a licensed electrical contractor.

