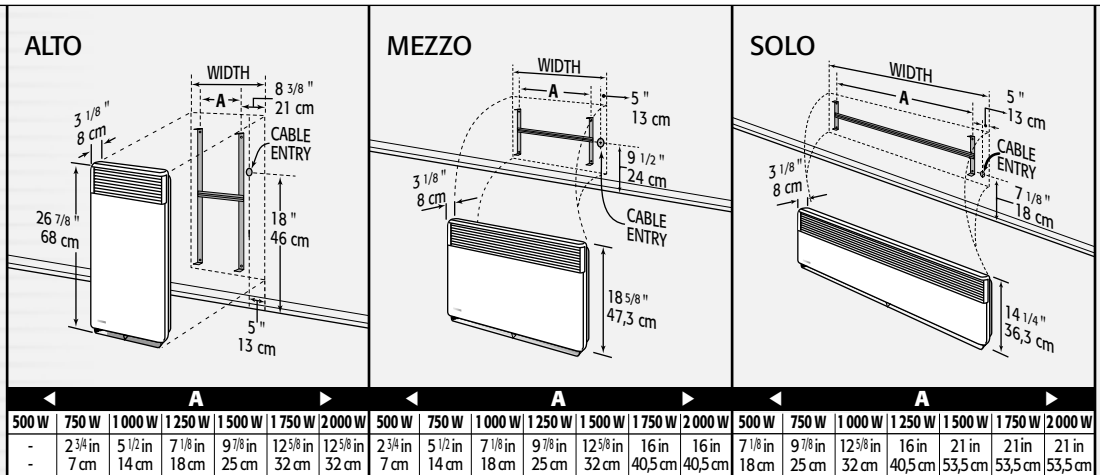


Three practical multipurpose units with simple lines, the **Alto**, **Mezzo** and **Solo** will suit any decor. Flexible enough to fit in any room.

Alto / Mezzo / Solo ≡



HEATING ELEMENT

≡ **Basic heating** Convection : X-shaped, monoblock element made of surface-treated extruded aluminum. Automatic reset overheat protection. (500 to 2000 W)

TEMPERATURE CONTROL

☼ **Electronic thermostat** Built-in electronic proportional-action thermostat ultrasensitive to 1/10°C (1/5°F)

CONTROL PANEL

📺 **Location** Located on top right hand side of the unit with see-through lockable protective cover.

Dial 1 Thermostat control dial can be locked.

2 Economy adjustment dial (setback can be set between 2°C / 4°F and 7°C / 13°F below the Comfort setting).

Mode-function selector 5-mode-function selector with indicator light: Off; Comfort; Economy; Frost protection (8°C / 45°F); Program (automatic setback when connected to the Convectair Programmer – see technical specifications for catalogue number 7392).

Indicator light Heating indicator light.

CABINET

📦 **Steel construction** with polyester/epoxy anti-rust powder coating.

Cabinet Bottom-mounted protective pan and built-in side wire covers.

Louvers Front-louvered air outlet that hides the unit interior and directs heat towards the centre of the room.

Color BB = White GR = Greige

INSTALLATION

🔧 **Installation** Quick-mounted surface installation with easy snap-on bracket that also serves as marking template.

Connection Rear power cable connection with double wire holder. Rear wire knock-out for armoured cable installation.

Installation height 4 in (10 cm).

Clearances ■ **Front:** 20 in (50 cm) ◀ **Sides:** 6 in (15 cm) ▲ **Above:** 4 in (10 cm).

Note 3-conductor cable or 2-conductor cable plus a third wire should be used if units are to be linked with the Convectair Programmer module (7392 FP).

Catalog No. Model Color	7384 ALTO ② (SP) BB GR						7383 MEZZO ② (SP) BB GR						7382 SOLO ② (SP) BB GR					
	Power		Width		Weight		Width		Weight		Width		Weight					
Height			cm	in	kg	p	cm	in	kg	p	cm	in	kg	p				
C05	500 W	375 W	26	10 1/4	3,8	8,5	34	13 3/8	3,7	8,1	50	19 5/8	3,9	8,7				
C07	750 W	562 W	34	13 3/8	4,7	10,4	42	16 1/2	5,1	11,1	58	22 7/8	4,8	10,6				
C10	1 000 W	750 W	42	16 1/2	6,1	13,4	50	19 5/8	6,4	14,1	66	26	6,1	13,5				
C12	1 250 W	937 W	50	19 5/8	7,4	16,4	58	22 7/8	6,8	15,0	82	32 1/4	7,7	16,9				
C15	1 500 W	1 125 W	58	22 7/8	7,8	17,2	66	26	8,1	17,9	90	35 1/2	8,8	19,4				
C17	1 750 W	1 312 W	66	26	8,3	18,3	74	29 1/8	8,1	17,9	106	41 3/4	9,7	21,3				
C20	2 000 W	1 500 W	66	26	8,3	18,3	82	32 1/4	9,1	20,0	106	41 3/4	9,7	21,3				
C28	ND	2 000 W	66	26	8,3	18,3	82	32 1/4	9,1	20,0	106	41 3/4	9,7	21,3				

② Compatible with the Convectair Programmer system (see technical specifications for catalogue number 7392).

(SP) Control panel designed to accept the 7392 Programmer module.

For guaranteed, dependable operation, we recommend that all units be installed by a licensed electrical contractor.

