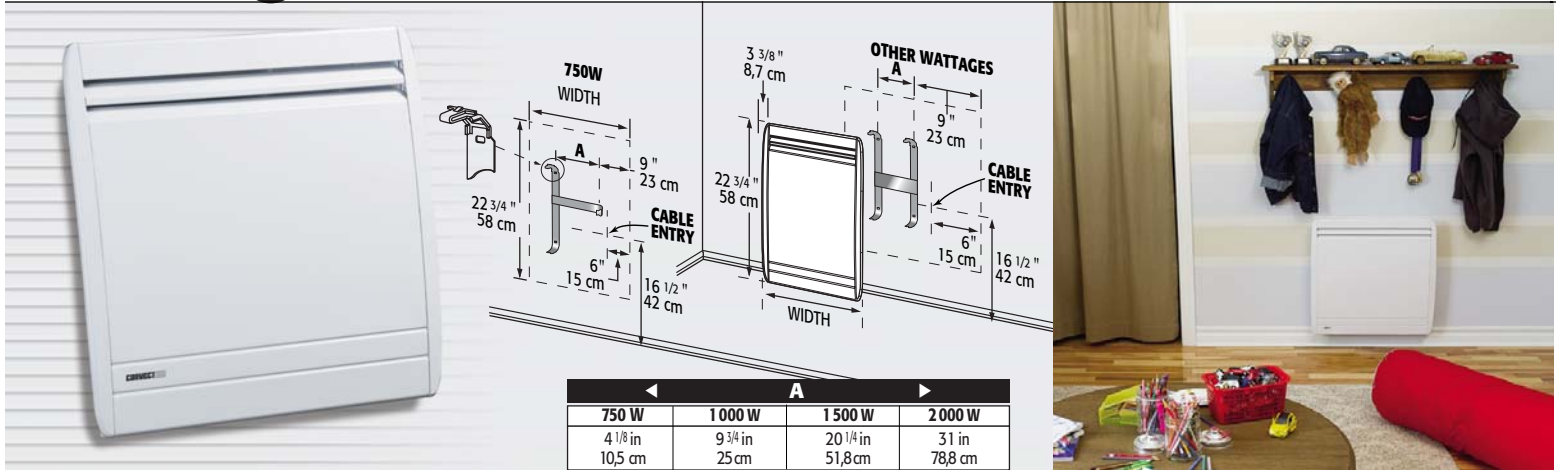




One-design, two comfort solutions. Like the Allegro, the **Allegro Duo** heats by natural convection, but also produces radiant heat.

Allegro Duo




HEATING ELEMENTS

-  **Basic heating** *Convection* : X-shaped, monoblock element made of surface-treated extruded aluminum.
-  *Radiant heat* : Radiant front panel with integrated surface element.
(750 to 2000 W) Manual reset overheat protection.


TEMPERATURE CONTROL

-  **Electronic thermostat** Built-in electronic proportional-action thermostat ultraprecise to 1/5°F (1/10°C).


CONTROL PANEL

-  **Location** Located on top right hand side of the unit with see-through lockable protective cover.
- Dial 1** Thermostat control dial can be locked.
- 2** Economy adjustment dial (setback can be set between 4°F / 2°C and 13°F / 7°C below the Comfort setting).
- Mode-function selector** 5-mode-function selector with indicator light: Off; Comfort; Economy (setback of 7°F / 4°C below the Comfort settings); Frost protection (45°F / 8°C); Program (automatic setback when connected to the Convectair Programmer – see technical specifications for catalogue number 7392).
- Indicator light** Heating indicator light.

CABINET

-  **Steel construction** with polyester/epoxy anti-rust powder coating.
- Cabinet** Bottom-mounted protective pan and built-in side wire covers.
- Louvers** Front-louvered air outlet that hides the unit interior and directs heat towards the centre of the room.
- Color** BB = White BM = Mimetic White

INSTALLATION

-  **Installation** Quick-mounted surface installation with easy snap-on bracket.
- Connection** Armoured cable complete with junction box cover and wire connector supplied with heater. Installation requires a wall box (not included).
- Installation height** 4 in (10 cm).
- Clearances** ■ **Front:** 30 in (75 cm) ◀ **Sides:** 6 in (15 cm) ▲ **Above:** 6 in (15 cm).
- Note** 3-conductor cable or 2-conductor cable with a third wire should be used if unit is to be linked with the Convectair Programmer module (7392 FP).

MODEL	Catalog No.	Color	Power		Height		Width		Thickness		Weight	
			240-V	208-V	cm	in	cm	in	cm	in	kg	p
ALLEGRO DUO ② (SP)	7792-C07	BB BM	750 W	563 W	58	22 3/4	44,5	17 1/2	11	4 1/4	9	19,9
	7792-C10	BB BM	1 000 W	750 W	58	22 3/4	60,5	23 7/8	11	4 1/4	11,5	25,4
	7792-C15	BB BM	1 500 W	1125 W	58	22 3/4	92,5	36 3/8	11	4 1/4	16	35,3
	7792-C20	BB BM	2 000 W	1500 W	58	22 3/4	116,5	46	11	4 1/4	19,5	43

② Compatible with the Convectair Programmer system (see technical specifications for catalogue number 7392).
(SP) Control panel designed to accept the 7392 Programmer module.

For guaranteed, dependable operation, we recommend that all units be installed by a licensed electrical contractor.

