

**IMPORTANT**  
to be kept by the user

# CONVECTAIR

## TENOR

### INSTALLATION & OPERATING INSTRUCTIONS FOR MODEL 7715-C



Dear OWNER,  
Congratulations on the purchase of this new premium electric heater from CONVECTAIR, manufacturer of the highest quality heating products in the electrical industry.

To obtain the best results and the ultimate in performance and comfort please carefully consult the installation and maintenance instructions shown in this manual.



**WARNING**

**PLEASE READ CAREFULLY:** These instructions are essential to the safe installation and operation of this CONVECTAIR heater.

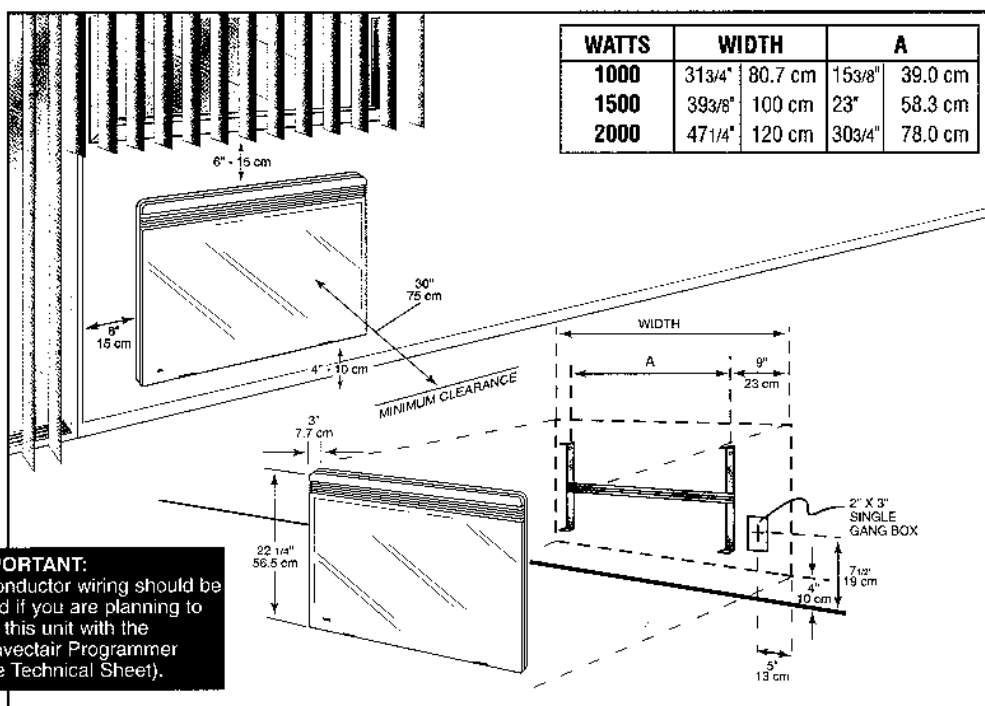
- 1- To prevent electrical shock, disconnect all power to heater at main service panel, before wiring or servicing.
- 2- CONVECTAIR units should be installed by a qualified electrician according to national and local codes.
- 3- **BEFORE ENERGIZING YOUR HEATER, VERIFY THAT THE VOLTAGE MATCHES THE HEATER NAMEPLATE.**
- 4- This CONVECTAIR heater will become hot when in use. Please use extra caution with young children or persons sensitive to heat.

- 5- Do not insert or allow foreign objects to enter the grilles opening, as this may cause an electric shock, fire, or damage to the heater.
- 6- To prevent any dangerous overheating, do not obstruct the air flow from the grilles in any way. Keep combustible materials, such as drapes, blinds, etc. away from the heater. Do not install behind doors, furniture, boxes or clothing.
- 7- This heater is equipped with a heating element that becomes very hot. Do not install or use it in areas where gasoline, paint or flammable liquids are stored.
- 8- Use this heater only as described in this manual. Any other use not recommended by CONVECTAIR may cause fire, electric shock, or injury to persons.

#### PLANNING THE INSTALLATION:

Convectair units should be installed by a qualified electrician according to national and local codes.

NOTE: If you plan to control the TENOR with CONVECTAIR's central "Programmer", the installation must be done using three-conductor wiring (3-12).



**IMPORTANT:** 3 conductor wiring should be used if you are planning to use this unit with the Convectair Programmer (see Technical Sheet).

Figure 1

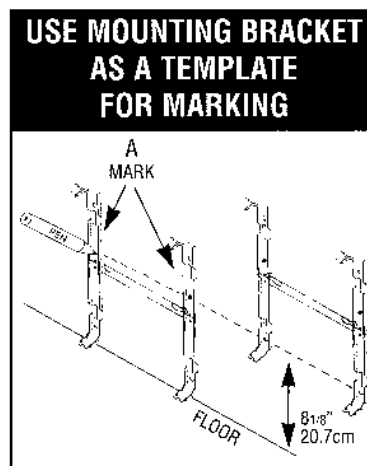


Figure 2

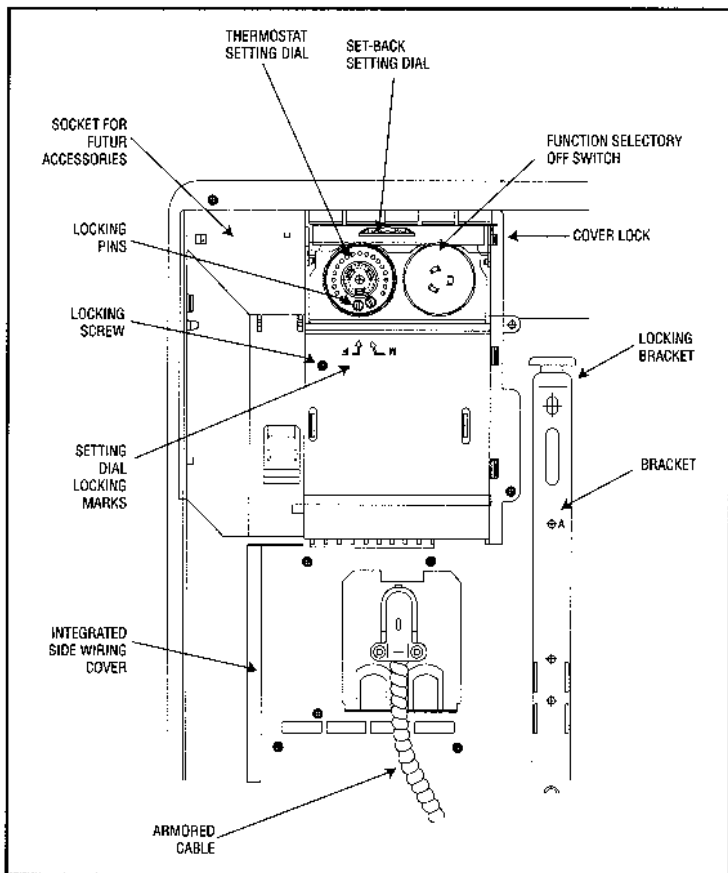


Figure 3

- 1- Choose the location where the CONVECTAIR will be installed.
- 2- Due to its weight, the unit should preferably be fastened to wall studs or other wall reinforcement. Otherwise use the 4 "E-Z Ancor" supplied with the unit.
- 3- Check that nothing such as drapes or furniture interferes with the airflow to and from the CONVECTAIR.

## INSTALLATION:

- 1- Free mounting bracket by pressing and pulling both locking brackets (Figure 3).
- 2- It is possible to locate the unit according to a wall or furniture, using the values in Figure 1.
- 3- Use the mounting bracket as a template by holding it against the wall flush to the floor. Use the A mark to locate the bottom fasteners (Figure 2).
- 4- Relocate the mounting bracket to match the marks with the holes for the bottom fasteners. Check horizontality of the mounting bracket then mark the upper fasteners.
- 5- Remove the mounting bracket and insert the 4 "E-Z Ancor".
- 6- Relocate the mounting bracket and fix it with the 4 screws.



## WIRING:


**CAUTION:** This unit must be connected to a 240 volts or 208 volts circuit, 60 cycles. Disconnect power supply before making wiring connections to prevent electrical shock or equipment damage.

**NOTE:** The armored supply cable for this unit has 4 wires. A green wire for ground, red and black wires for power and a blue wire to link it to the CONVECTAIR central PROGRAMMER. **The blue wire must be insulated if it is not in use.**

The unit must be hooked up with a junction box of appropriate dimensions, already installed in the wall (FIGURE 1).

- 1- Cut the armored cable to desired length.
- 2- Install the 90 degree connector and box cover to the armored cable and then connect the wires in the junction box.
- 3- If using a central Programmer, connect the blue wire, otherwise insulate properly with electrical tape.
- 4- Carefully put back all wires inside the box, close and screw the cover.
- 5- Hook the CONVECTAIR unit onto the mounting bracket tabs with the unit slightly angled towards you. Push the CONVECTAIR heater towards the wall until it is engaged on both locking brackets. Press firmly until both brackets lock securely.
- 6- Set the Function selector to off before restoring power at the main panel.

## OPERATING CONTROLS:

The OFF switch is incorporated to the function selector on the top portion of the Convector unit. When the function selector is set to any other position than OFF, the unit is automatically turned ON. The pilot lamp , located near the thermostat, will indicate when the unit is operating.

## SETTING THE THERMOSTAT:


The thermostat setting dial, situated on the control box, is accessible when the protective cover is opened. To set thermostat, adjust setting dial to desired comfort level (between 5 and 7). After approximately an hour of use, if adjustment is not satisfactory, slightly turn the dial either left or right to raise or lower temperature to the desired comfort level.


## LOCKING THE SETTING DIAL AND THE COVER:


First, detach the unit from the wall bracket. Behind the setting dial, two pins are provided. Remove the pins with pliers by rotating gently. To lock the setting dial, insert a pin in front of the "F" mark. To block the setting between the minimum and a desired maximum setting, insert a pin in front of the "M" mark. To lock the cover, insert the provided locking screw in the upper corner of the cover (Figure 3).

## FUNCTION SELECTOR:


The control box function selector offers 5 different positions:

 **Frost protection:**  
Maintains about 44°F temperature during absences of more than 48 hours.  
**(Not recommended in extreme cold).**

 **Economy function:**  
Temperature slightly inferior (according to previous adjustment of the set-back, see ad below) to the temperature selected in the comfort mode, without disturbing the thermostat.  
This function is used to reduce electric consumption during the night, in unoccupied rooms or during temporary absences.

 **Comfort function:**  
Select temperature by setting thermostat.

**OFF** Turns the heater OFF.

 **Program function:**  
To be used only when unit is connected to a CONVECTAIR central program unit (optional).


A red indicator lights up to indicate the current operating mode (comfort, economy, frost protection) that has been selected manually or imposed by the PROGRAMMER.

## ADJUSTING THE SET-BACK:

The set-back setting dial is located on the control box on top of the Convectair unit. It will allow you to adjust the set-back degrees desired (4 to 13 degrees F inclusively).

As a general rule, the ideal set-back for maximum energy efficiency and optimal comfort, is between 5 and 7 degrees F. You can reduce a little more during mild weather but, on the other hand, during very cold weather, the set-back should be minimal. If you wish to have different levels of comfort in different rooms, doors should remain closed. In large, open areas, all units should be set at exactly the same temperature.

## OPERATION:

When the CONVECTAIR is on, it will cycle every 25-30 seconds. The indicating light  tells you when heat is on. The CONVECTAIR will always remain warm and ambient temperature will remain constant. It is normal that in very cold temperatures the unit could become hot. Caution is advised when young children are present.

## TEMPERATURE LIMITING CONTROL:

The CONVECTAIR heater is equipped with two automatic over-heat protection devices. Two indicator lights are placed behind the glass panel in the upper corners. They will turn on when the

overheat protection are activated, showing that the heater has been subjected to some abnormal condition. Check the inlet and outlet grilles for dust or other objects, to insure that they have not been blocked in any manner. Once the internal temperature has dropped sufficiently, the heater will restart automatically.

## MAINTENANCE:

To keep your CONVECTAIR unit clean, a regular maintenance is suggested. To remove dust, use a soft cloth. To remove a stain, use a damp cloth. Never use abrasive products which could damage the surface.

### PREVENTION:


**Never use convectors while construction work or other activities that generate a lot of dust.**

### NOTE:

The first time your CONVECTAIR heats, a light smoke could be released, This is normal and should disappear after about 2 to 3 minutes.

## IF YOUR CONVECTAIR DOES NOT HEAT:

Before calling your electrician, please follow this procedure:

- 1- Make sure the breaker in the distribution panel is in the "ON" position.
- 2- Check that the function selector switch is  . Turn the setting dial to the position 9.
- 3- If the light is still off, and that no heat is generated, call your electrician or the nearest CONVECTAIR repair center.

## WARRANTY

- 2 years against all defects
- 5 years on heating elements

All **Convectair** units are subject to a double warranty: 2 years on all parts and manufacturing defects and 5 years on the heating elements themselves. Warranty is applicable from date of purchase by the customer and under certain specific conditions. All details furnished with each unit.

## FOR FURTHER INFORMATION...

**Do not hesitate to contact us.**

### REPAIR CENTRES:

To find your nearest repair centre please call  
**CONVECTAIR.**

**Montreal Area:  
U.S.A., Canada:**

**(450) 433-5701  
1-800-463-6478**

# CONVECTAIR

30 Place Sicard, Sainte-Thérèse, Quebec, Canada J7E 3X6

Tel.: (450) 433-5701 • Fax: (450) 434-3166

E-mail: support@convectair.ca • Web site: <http://www.convectair.ca>