



**INSTALLATION AND CONNECTION**

**Installation height** 12 in (30 cm).

**Clearances**

■ **Front:** 24 in (60 cm) ◀ ▶ **Sides:** 4 in (10 cm) ▲ **Above:** 8 in (20 cm).

**Installation** Built into the wall between studs. Clear a regular opening of 15 in (38 cm) high ; 12 3/8 in (31.5 cm) wide. Depth required: 3 3/8 in (8.6 cm).

**Connection** 240-V unit: Direct connection in the unit - top left. Removable front panel; installation and wiring through the front.

**Note** 3-conductor cable or 2-conductor cable with a third wire should be used if unit is to be linked with the Convectair Programmer module (7392 FP).

Visible thickness: 1 in (2.2 cm); total thickness: 4 3/8 in (10.8 cm).

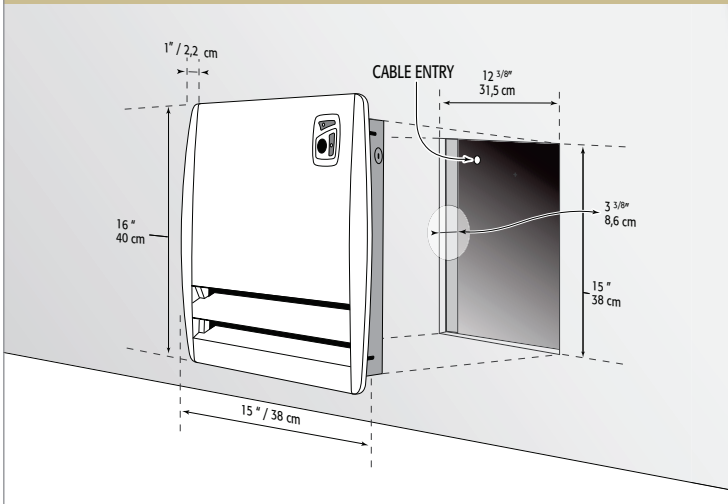



Photo / page 11

**HEATING ELEMENT**


**Total capacity** 1 500 W

 **Fan-forced heat (750 W)** Low-thermal-mass heating element combined with low-pressure tangential blower.

**Quick heat option (750 W)** Low-thermal-mass heating element combined with low-pressure tangential blower.

**Thermal protection** Reset overheat protection by turning heater off.

**TEMPERATURE CONTROL**

 **Electronic thermostat** Built-in electronic proportional-action thermostat for basic heating.

**Timer** 30-minute electronic timer for quick heating.

**Programmer** Programmer-compatible, pilot wire only.

**CONTROL PANEL**

 **Location** Located in front of the unit.

**Switch** On / Off switch, also serves as reset for overheat protection.

**Timer** Activates / Deactivates the quick heat option (30 minute or less).

**Dial** Electronic thermostat control.

**Indicator light 1** On / Off.

**2** Timer.

**3** Heating.

**CABINET**

 **Steel** construction with polyester/epoxy anti-rust powder coating.

**Cabinet** Thin profile construction with rounded edges.

**Louvres** Air outlet hides the unit interior and directs heat towards the center of the room.

**Color BB** = White

MODEL	Catalog No.	Color	Power		Height		Width		Thickness		Weight	
			240-V	208-V	cm	in	cm	in	cm	in	kg	lb
PICCOLO ②	7831-C15	BB	750 - 1500 W		40	16	38	15	2,2	1	5,7	12,6

② Compatible with the Programmer system (see technical specifications for catalogue number 7392).

For guaranteed, dependable operation, we recommend that all units be installed by a licensed electrical contractor. Consult **convectair.com** to find the most recent installation instructions for our heaters.

